



**Henderson Water Utility**  
WATER • WASTEWATER • STORMWATER

📞 270.826.2421

💻 [www.hkywater.org](http://www.hkywater.org)

📍 111 Fifth Street  
Henderson, KY 42420

**Memo To:** Plan Holders

**From:** Tom Williams, P.E.  
HWU General Manager

**Re:** Generator Project - Addendum No. 1  
Bid Reference: 2020 - 04

**Date:** 2 September 2020

Questions from Bidders, and Answers, so far:

1. Question: Is Drawing E-5 missing?

Answer: Drawing E-5 covers a location where a generator will be installed at a later date under a separate project.

2. Question: C-141 conduit shown on E-6, where is this?

Answer: This refers to the location referenced on Drawing E-5. As noted above, this generator will not be installed on this project; please disregard this reference to C-141.

3. Question: Drawing S-1 Pad Detail is missing from plan set?

Answer: See attached drawing S-1.

4. Question: Generator spec calls for natural gas, drawings do not show any lines run for natural gas. Please advise?

Answer: Our consultant did not size the gas lines, because depending on the make/model of generator, the sizing may change. HWU will pay directly for all costs of installing a new service line and meter at each location, which will be installed by the local gas supplier. Bidders will only have to price connection to this service, which will be within 20' of the generator location.

5. Question: Section 3.07 under generator spec calls for alternate 2yr. maintenance price. Bid form list no alternates. Please advise.

Answer: A revised bid form is attached, which includes Alternate Bid Item No. 5 to cover this maintenance contract pricing. The Alternate Bid Item will not be considered in the calculation of low bid price.



6. Question: Is scaling on drawings correct?

Answer: Drawings are scaled to plot on 24" x 36" sheets.

7. Question: What is the generator shown on Sheet E-2? It appears there are four generators in this bid, but only three on the bid forms?

Answer: The generator shown on Sheet E-2 is the same one shown on Sht. E-1; it is doing dual duty since the Admin Building and North Water Plant sit next to each other.

8. Question: How will the Bid Opening be made public, when Kentucky is still under modified lock-down procedures?

Answer: Bidders should submit their sealed bids by customary means, prior to the bid opening time. At the specified time, a video teleconference will be broadcast to the public as allowed under KRS 61.826 and KRS 45A.080(4).

No primary location will be set for public attendance as per Kentucky Attorney General Opinion 20-05, and no public attendance will be permitted at this meeting due to the highly contagious nature of COVID-19.

**The Bid Opening will be broadcast on Zoom:**

When: 16 September 2020, 01:30 PM Central Time (US and Canada)

Register in advance for this meeting:

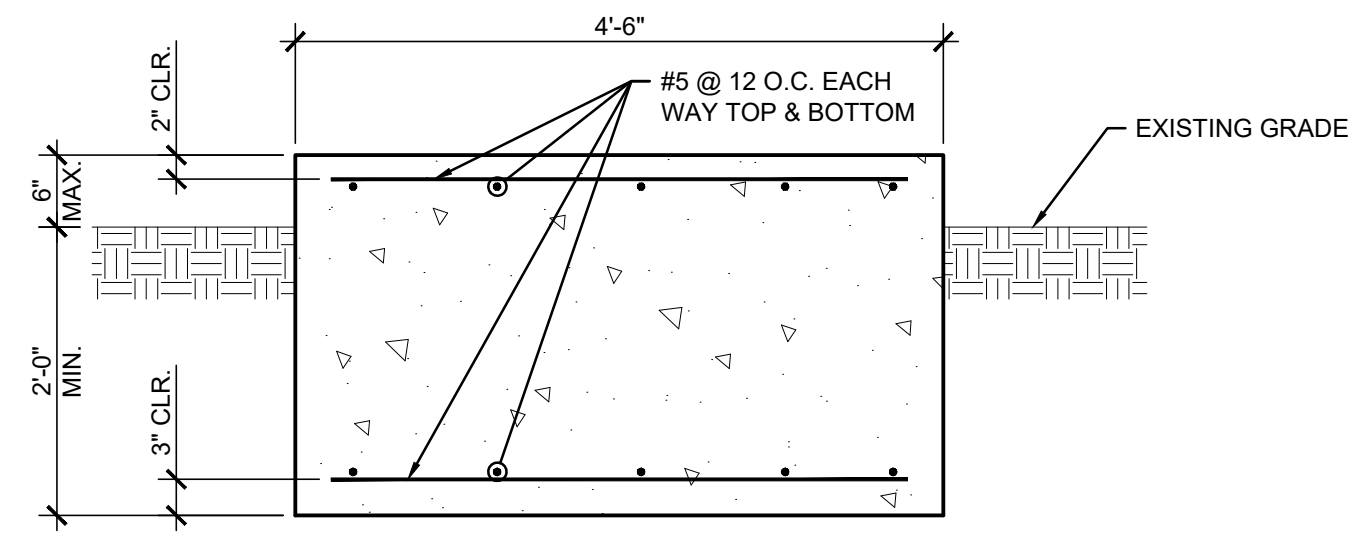
<https://zoom.us/meeting/register/tJclc-ygrDwiGtyATjJ0KVbetDk7dbEPofQP>

After registering, you will receive a confirmation email containing information about joining the meeting.

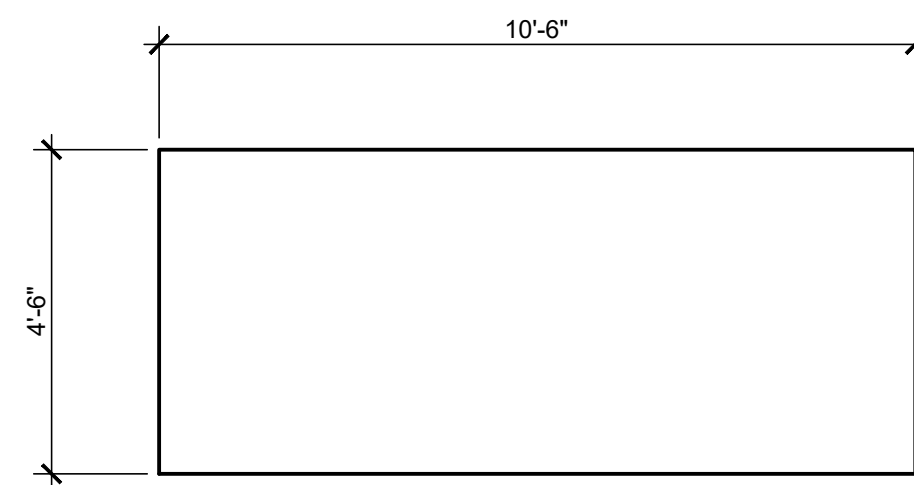
Bid opening date/time remains the same: 1:30 p.m., 16 September 2020, online, as noted above.

If you have further questions, feel free to call me at 270.826.2421 (Office).

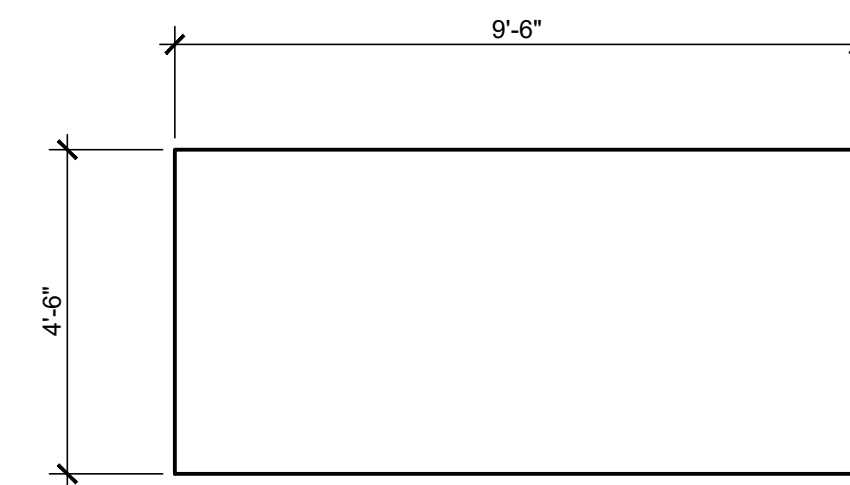
Cc: Bart Boles, HWU Project Engineer  
Kathy Manker, HWU Procurement Manager



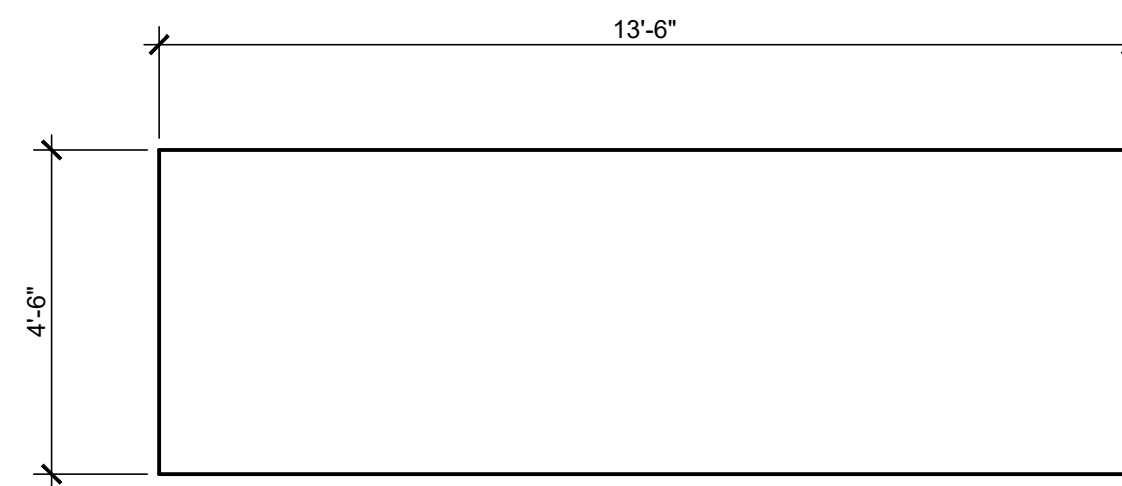
**GENERATOR PAD SECTION**  
SCALE: 3/4" = 1'-0"



**100 kW GENERATOR PAD PLAN**  
SCALE: 3/8" = 1'-0"



**50 kW GENERATOR PAD PLAN**  
SCALE: 3/8" = 1'-0"



**125 kW GENERATOR PAD PLAN**  
SCALE: 3/8" = 1'-0"



**THREE i DESIGN**  
ENGINEERING + ARCHITECTURE  
WWW.THREEDIIGN.COM EVANSVILLE, IN 812-423-6800

REFERENCES NONE

REV	DATE	BY	ITEM
A	03/11/20	30D	ISSUED FOR PRELIMINARY

**EMERGENCY GENERATORS  
HENDERSON WATER UTILITY  
HENDERSON, KY**

ONE-LINE DIAGRAMS

DRAWN BY: KRB	DESIGNED BY: CRC
CHECKED BY: MFB	DATE: 06/09/17

SCALE: AS NOTED

FILE NAME:  
17391BS1

SHEET NO:  
**S1**  
6 of 6

**PRELIMINARY**  
03/11/20

## ***INVITATION FOR BID***

The Henderson Water and Sewer Commission of the City of Henderson, Kentucky will receive sealed competitive bids at its office at 111 Fifth Street, Henderson, Kentucky 42420, until 1:30 p.m. (CDT), on the 16<sup>th</sup> day of September, 2020, at which time the bids will be opened and considered for the purchase of the following:

### **GENERATOR PROJECT FOR THE HENDERSON WATER UTILITY**

### **REF# 202004 Generator Project**

Specifications and Instructions to Bidders, and copies of plan sheets for this project may be obtained from:

HWU website: <http://tinyurl.com/hwu-bids>

HWU Bobby Gish Administration Building: 111 Fifth Street, Henderson, KY 42420

The Water and Sewer Commission reserves the right to accept or reject any or all bids in whole or in part and to waive informalities and/or technicalities in the bids. Conflicts of interest, gratuities and kickbacks as defined and provided for in K.R.S. 45A.455 are absolutely prohibited.

Clarifications and Addenda will be posted on the HWU procurement web site as listed above.

This project is partially funded by the Department of Homeland Security (DHS)/Homeland Security Grant Program (HSGP).

Federal Davis Bacon wages apply to this project.

**REVISED BID FORM**

**PROJECT IDENTIFICATION:** Generator Project  
KOHS Project 19-044  
Henderson Water Utility  
Ref# - 2020 – 04

**THIS BID SUBMITTED TO:** Henderson Water Utility  
111 Fifth Street  
Henderson, KY 42420

**CONTACT INFORMATION:** All questions regarding this bid solicitation should be directed to the Purchasing Manager as per item #3 in the Solicitation Instructions and Conditions.

**DATE REFERENCES:** Last day for bid clarifications: 14 September 2020  
Bid Closing: 16 September 2020, 1:30 p.m.  
HWU Board Meeting (award): 21 September 2020

1. The undersigned BIDDER proposes and agrees, if this Bid is accepted, to furnish equipment as specified or indicated in the Bid Documents and Technical Specifications for the Bid Price(s) and in accordance with the other terms and conditions of the Bid Documents and Technical Specifications.
2. BIDDER accepts all of the terms and conditions of the Advertisement or Invitation to Bid and the Bid Documents and Specifications. This bid will remain subject to acceptance for sixty days after the day of bid closing.
3. In submitting this Bid, BIDDER represents, as more fully set forth in the Agreement that:

- a. BIDDER has examined copies of all the Bidding Documents and of the following addenda (receipt of all which is hereby acknowledged):

DATE	NUMBER

- b. BIDDER has familiarized itself with the nature and extent of the Bid Documents and Technical Specifications, and all conditions, laws, and regulations that in any manner may affect cost, or furnishing the equipment required.
- c. This Bid is genuine and not made in the interest of or on behalf of any undisclosed person, firm or corporation and is not submitted in conformity with any agreement or rules of any

group, association, organization or corporation; BIDDER has not directly or indirectly induced or solicited any other Bidder to submit a false or sham Bid; BIDDER has not solicited or induced any person, firm or corporation to refrain from bidding; and BIDDER has not sought by collusion to obtain for itself any advantage over any other Bidder or over the PURCHASER. Bidder acknowledges and certifies by submission of his bid that all the provisions and statutes of KRS 45a.465 are complied with fully.

- d. Specify a unit price in figures for each bid item for which a quantity is given and show the products of the respective unit prices and quantities written in figures in the space provided for that purpose. Round the products by dropping all digits past the cent. Write in ink or type all figures. In case of discrepancy between a price written in words and the same item price written in figures, the price in words will be considered the correct price. In case of discrepancy between a unit price and an extended amount, the unit price shall govern.

**Bid Form**

**Furnish and Install Generators, Electrical Components and Accessories**

**Pricing to be held for 60 days after submittal is opened**

**ITEM No. 1: Mobilization & Demobilization**

Includes Mobilization and Demobilization of personnel and subcontractors to the sites, general conditions, traffic control, permit compliance, Bid Bond, Performance and Payment Bond, etc., and all other costs not included in the other items under this Contract. This item will be paid 75% with the first pay application after the start of construction, and 25% with the last pay application, and includes all costs of any subsequent demobilizations and re-mobilizations as required by the project schedule.

LUMP SUM BID PRICE \_\_\_\_\_

\_\_\_\_\_ Dollars (\$\_\_\_\_\_).

(Use words)

(figures)

**ITEM No. 2: Generator at 510 North Water Street – North Water Treatment Plant/Administration Building**

Furnish and Install a 125kW, 120/208V, 3 phase, generator; transfer switch; control system; concrete pad; and electrical modifications including conduit, wiring, switches, disconnects, and other materials required for installation as shown on Drawing E1, including connections to the adjacent Water Treatment Plant as shown on Drawing E2; grounding electrode system as shown on Drawing E6; testing; all complete in place and ready for use.

LUMP SUM BID PRICE \_\_\_\_\_

\_\_\_\_\_ Dollars (\$\_\_\_\_\_).  
(Use words) (figures)

**ITEM No. 3: Generator at 205 Drury Lane – North Wastewater Treatment Plant (NWWTP)**

Furnish and Install a 50kW, 120/240V, 1 phase, generator; transfer switch; control system; concrete pad; and electrical modifications including conduit, wiring, switches, disconnects, and other materials required for installation as shown on Drawing E3; grounding electrode system as shown on Drawing E6; testing; all complete in place and ready for use.

LUMP SUM BID PRICE \_\_\_\_\_

\_\_\_\_\_ Dollars (\$\_\_\_\_\_).  
(Use words) (figures)

**ITEM No. 4: Generator at 4159 Quinns Landing Road, Robards, KY – South Water/Wastewater Treatment Plant (SWTP/SWWTP)**

Furnish and Install a 100kW, 480/277V, 3 phase, generator; transfer switch; control system; concrete pad; and electrical modifications including conduit, wiring, switches, disconnects, and other materials required for installation as shown on Drawing E4; grounding electrode system as shown on Drawing E6; testing; all complete in place and ready for use.

LUMP SUM BID PRICE \_\_\_\_\_

\_\_\_\_\_ Dollars (\$\_\_\_\_\_).  
(Use words) (figures)

**TOTAL BID PRICE**

TOTAL BID PRICE \_\_\_\_\_

\_\_\_\_\_ Dollars (\$ \_\_\_\_\_).  
(Use words) (figures)

**Bidders – please attach a “post-it” note or other tag to this page, in your completed bid.**

**ALTERNATE BID ITEM No. 5: Maintenance Contract for Generators**

Provide to Owner a proposal as an add alternate to the base bid, a separate maintenance contract for the service and maintenance of engine generator systems installed under this contract, for two years from date of Substantial Completion; Include a complete description of preventive maintenance, systematic examination, adjustment, inspection, and testing, with a detailed schedule, as specified in section 3.07 Maintenance, *Specification Section 26 3213 – Engine Generators*.

LUMP SUM BID PRICE \_\_\_\_\_

\_\_\_\_\_ Dollars (\$ \_\_\_\_\_).  
(Use words) (figures)

**Note: Alternate Bid Item No. 5 will not be used in the calculation of low bid price.**



**Shop Drawing / Equipment Delivery Schedule:**

Number of days from Award of Purchase Order to shop drawings: **30 days**

Number of days from shop drawing approval to substantial completion: **120 days**

Vendor's taking exceptions to these timeframes, note that below.

**Exceptions Taken to this Proposal:** List all exceptions. (If none, check here).

**SIGNATURE PAGE**

**Non-Collusive Bid Statement:** The undersigned bidder, having fully informed himself regarding the accuracy of the statements made herein, certifies that: (1) The bid has been arrived at by the bidder independently and has been submitted without collusion with and without any agreement, understanding, or planned common course of action with any other vendor of materials, supplies, equipment, or services described in the bid, designed to limit independent bidding or competition, and (2) The contents of the bid have not been communicated by the bidder or its employees or agents to any person not any employee or agent of the bidder or its surety on any bond furnished with the bid, and will not be communicate by any such person prior to the official opening of the bid.

\_\_\_\_\_  
Signature of Authorized Official

\_\_\_\_\_  
Name and Title (printed)

\_\_\_\_\_  
Legal Name of Business

\_\_\_\_\_  
Address

\_\_\_\_\_  
Address

\_\_\_\_\_  
Telephone Number

\_\_\_\_\_  
Date

Affix seal below if bid is by corporation.

This seal was herewith affixed in the presence of:

Signature \_\_\_\_\_ Title \_\_\_\_\_